

# *IX690-U200*

## Solution Guide

**Full HD DSS**



**Multi KIOSK**



# IX690-U200 Main Features

## Low Power

**FANLESS**

1. AMD Sempron 200U (256kB L2 cache) 1GHz processor on board
2. TDP 8W Only
3. Passive Heat Sink on Board

## Multi-Media Function List

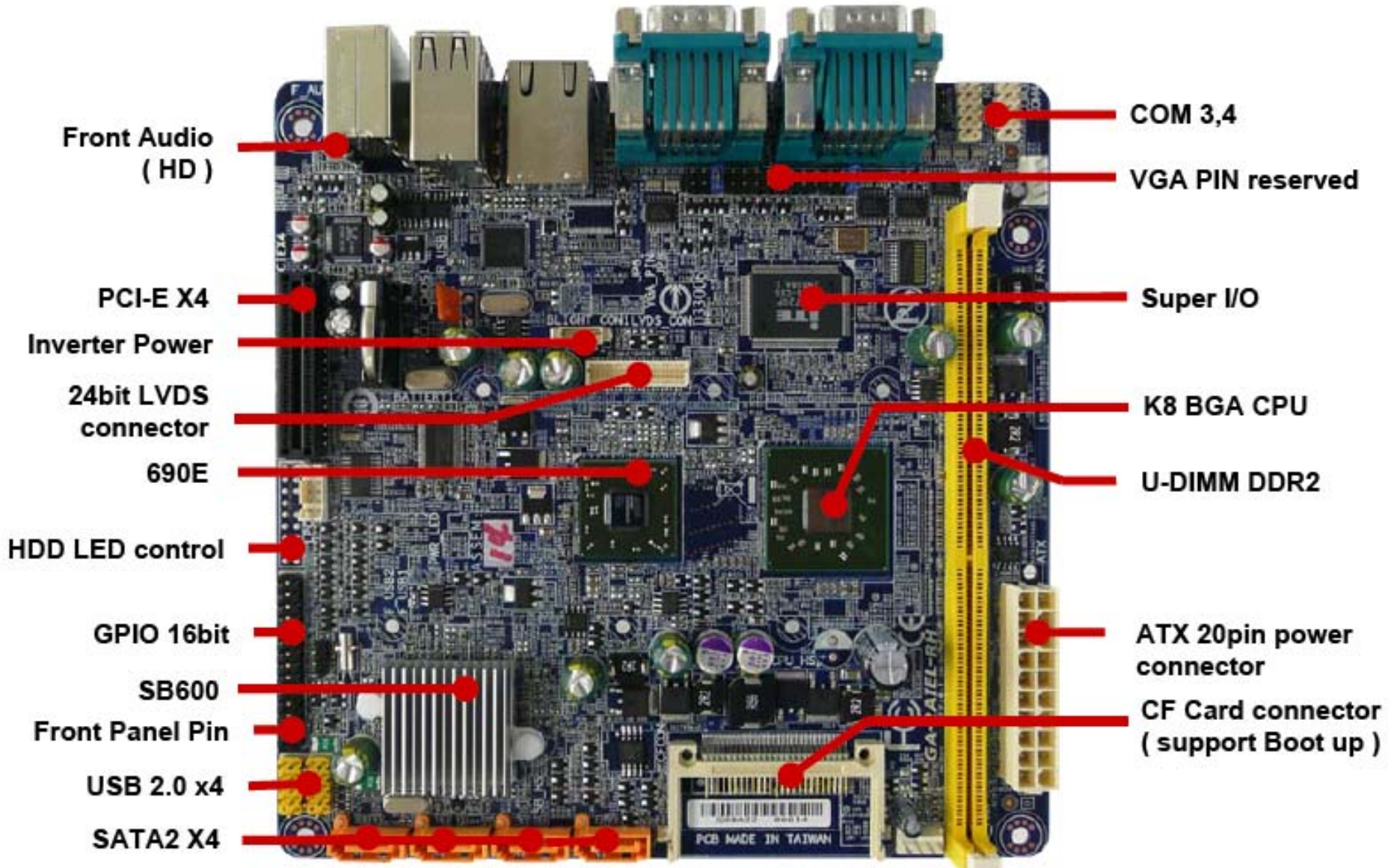
**Full HD  
1080**

1. HDMI ( Full HD Support )
2. VGA
3. 24BIT LVDS
4. HD Audio 8 Channel

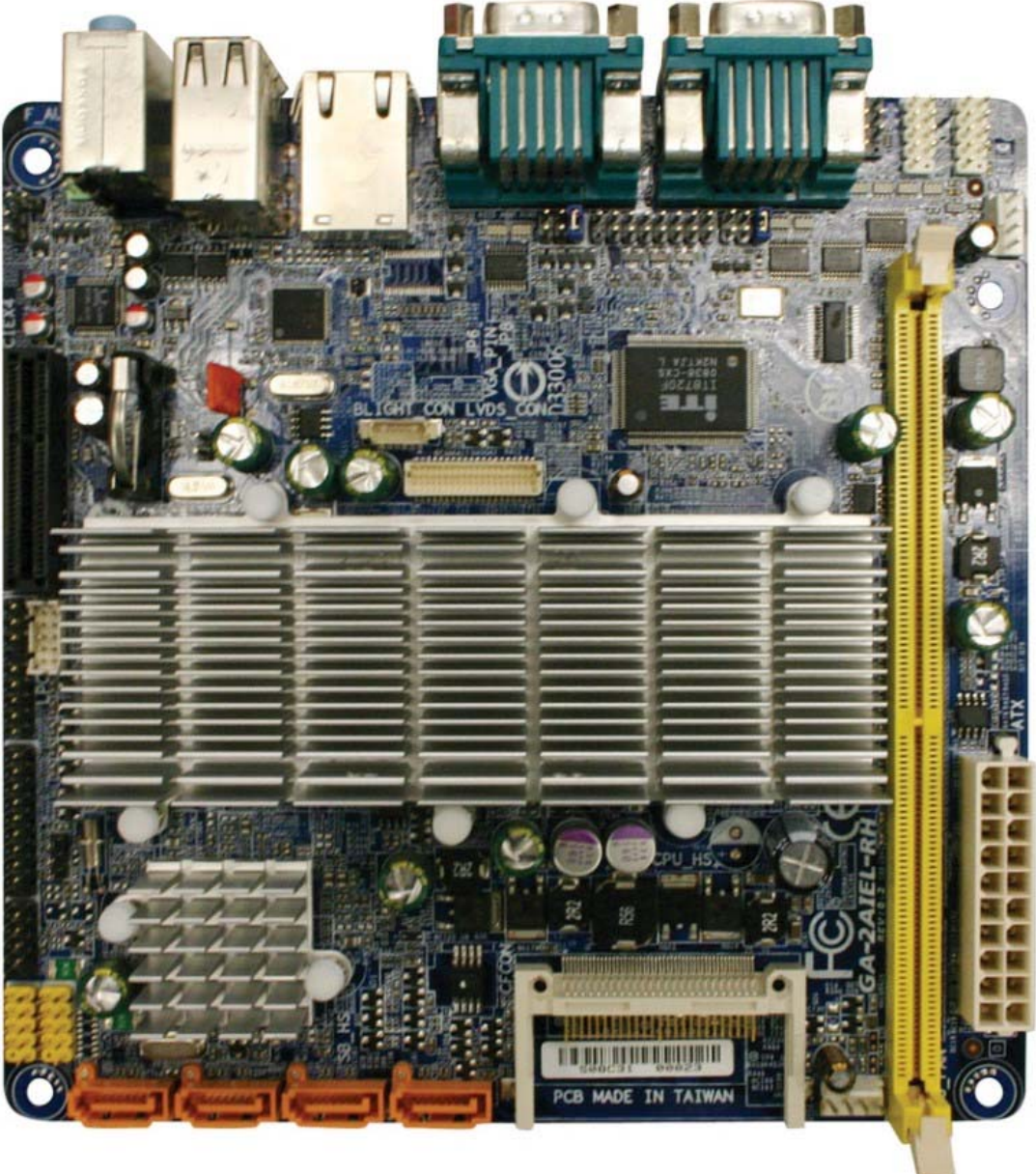
# I X690-U200 Spec

Form Factor	Mini-ITX ( 170mm x 170mm )	TPM	1.2
CPU	K8 BGA 1GHz / 256k ( 8W ) K8 BGA 1.5GHz / 256k ( 15W )	DIO	8 bit digital I/O ( 4 in / 4 out )
Chipset	AMD 690E + SB600	GPIO	For 4 * HDD Status For 1 * Reset button For 1 * Recovery button For 2 * LAN Status
Graphic	ATI X1270 integrated	FAN Control	PWM
Memory	1 DIMMs 240pin Up to 2GB DDR2-800MHz	S3/S4	Support
Display	1 VGA D-Sub 1 VGA pin 1 HDMI ( Full HD support ) 1 LVDS ( internal pin )	Watch dog timer	Reset 1 sec ~ 255 min Step : 1 sec or 1 min
Audio	HD Audio out / 5.1 or Stereo + MIC + Line IN 8 channel HD S/PDIF out ( Realtek 889 )	Dual display	Yes VGA + HDMI VGA + LVDS HDMI + LVDS
Serial Port	2 internal RS232 ( PIN ) 2 External RS232 ( with power 0/5/12v switch by jump )	Audio AMP.	2.5W ( L+R )
USB	4 external plus 4 internal ( PIN )	Power	ATX 20 pin power
LAN	1 Gigabit LAN ( Realtek 8111c )	Accessories	I/O Shield , SATA cable , User manual, Driver CD
Storage	4 internal SATA2 ( with HDD status LED pin ) ( Support RAID 0,1 ) 1 CF ( with power , support Boot up function )		
Expansion Slot	1 PCI-E X4 ( PCI-E X1 signal )		

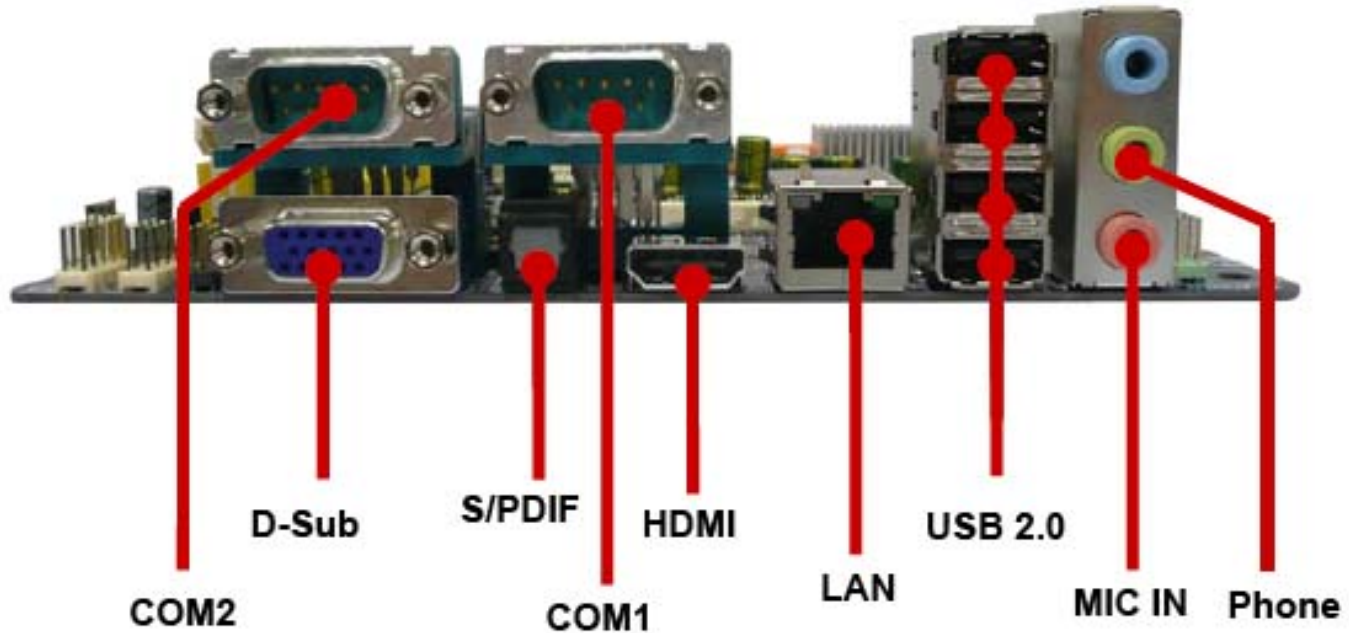
# I X690-U200 Board View



# IX690-U200 With Passive Heat Sink



# IX690-U200 Rear IO



IX690-U200	
<b>Processor Supported</b>	AMD Sempron 200U (256kB L2 cache) 1GHz processor on board Hyper Transport 800MHz
<b>Chipset Description</b>	AMD RS690E ;AMD SB600
<b>System Memory</b>	1 x DDR2 DIMM socket ;Up to 2GB DDR2-400 memory
<b>BIOS Type</b>	AWARD BIOS on 8Mb SPI Flash ROM
<b>Integrated Super I/O Controller</b>	ITE IT8720 Super I/O
<b>Integrated SATA Controller</b>	AMD SB600 ; 4 SATA connectors supporting RAID 0, 1, 0+1
<b>Integrated Video Controller</b>	ATI Radeon Xpress 1270 Build in AMD RS690E chipset
<b>Integrated Audio Controller</b>	Realtek ALC 889A chipset
<b>Integrated Network Adapter Controller</b>	Realtek 8111c GbE LAN controllers
<b>Expansion Slot</b>	1 PCIe x4 (x1 Bandwidth) slot
	1 CF card slot supporting Boot up function
<b>On Board Connectors</b>	1 x 20-pin ATX power connector
	4 x SATA connectors
	2 x Serial connectors (COM 3/4 by PIN)
	1 x front audio connector
	4 x USB 2.0 external
	1 x front panel connector
	1 x System fan cable connector
	1 x CPU fan cable connector
	1 x 24bit LVDS connector
<b>Rear I/O Connectors</b>	1 x HDMI port with dual display (HDMI + VGA or HDMI + LVDS)
	1 x VGA port with dual display (VGA + HDMI or VGA + LVDS)
	2 x COM port (COM 1/2)
	4 x USB 2.0 ports
	1 x LAN RJ45 ports
	1 x HD Audio jacks (Line-out / MIC-in / Line-in) can configure 7.1 channel output with front audio out
	SPD/IF Out
<b>Board Size</b>	Mini ITX form factor
	170mmx170mm

## OS Support List

1. Windows XP SP3 ; VISTA ; Windows Home Sever ; WePOS
2. Linux Redhat ; SuSe ; Unbuntu
3. FreeBSD

## Multi-Media Function List

1. HDMI ( Full HD 1080 Support )
2. VGA ; LVDS
3. HD Audio 8 Channel

## Full HD DSS



- FANLESS
- Full HD 1080i

## Multi KIOSK



- FANLESS
- Dual Display